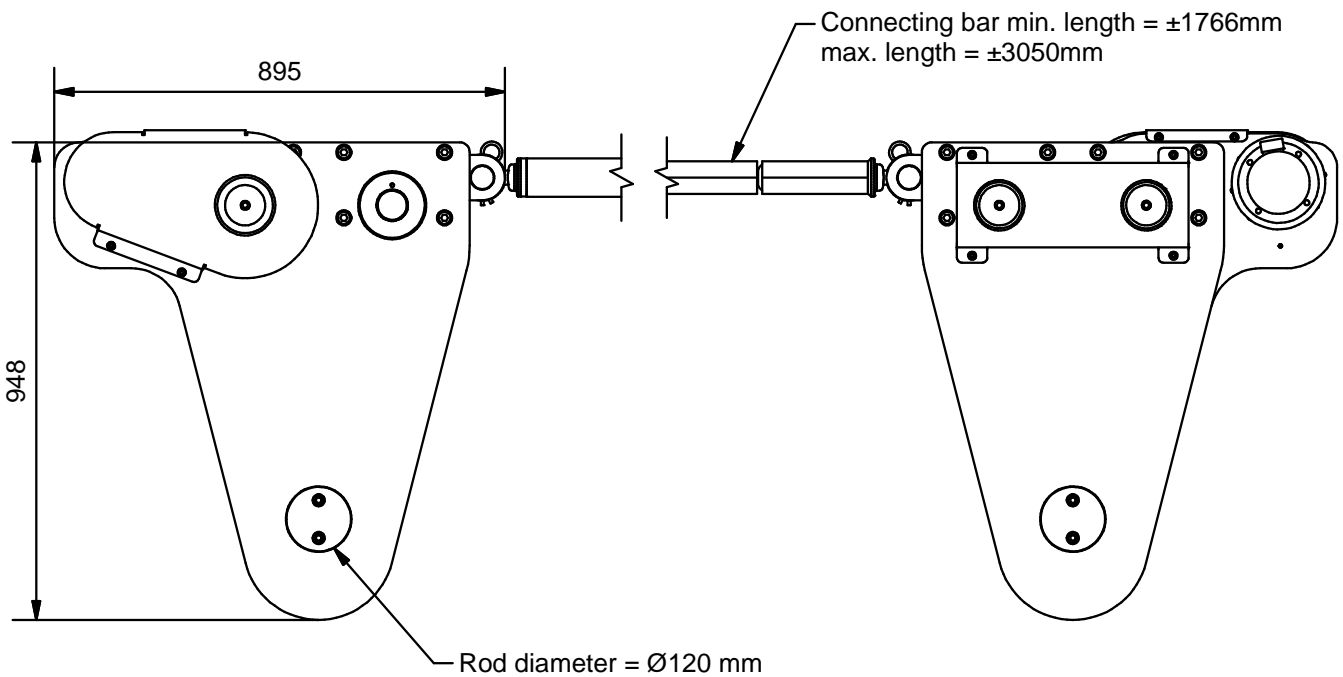
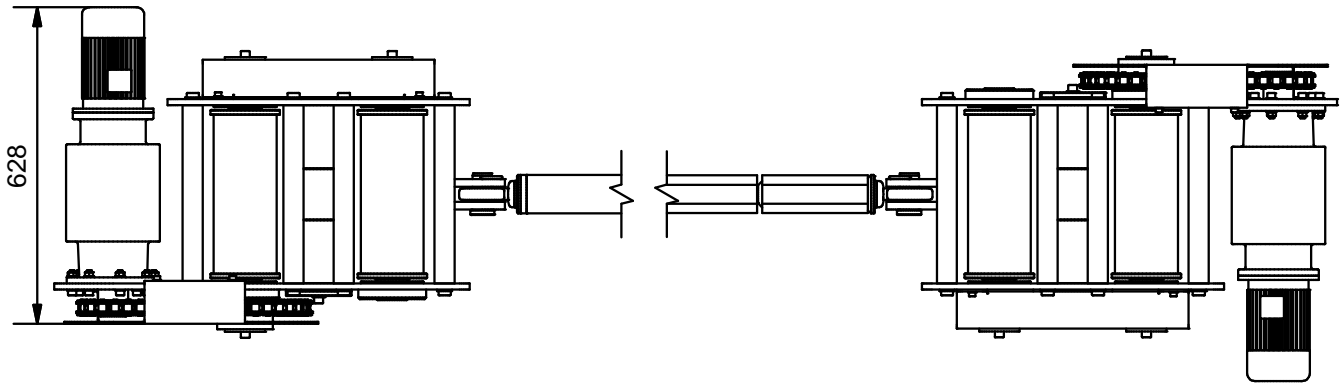
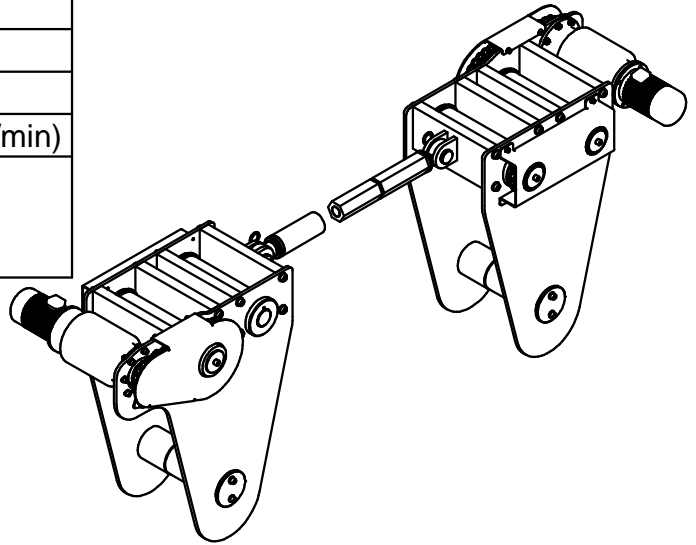


Features BSSL60

Self weight propelled unit:	340 kg	(750 lbs)
Self Weight connecting bar:	50 kg	
Capacity:	150 kN	(per anchor)
Powered:	0,75 kW.	400 V
Frequency:	50/60 Hz	
Speed:	60 cm/min	(23,62"/min)
Model number BSSL60 includes: 4x Propelled unit 2x connetion bar 4x cable guide		



OPAAALSTRAAT 44, 7554 TS HENGELO HOLLAND
PO BOX 421, 7550 AK HENGELO HOLLAND
TELEPHONE 074-2422045 FACSMILE 074-2430338

ENERPAC 
COPYRIGHTS RESERVED

3rd ANGLE
PROJECTION

Model Number:

BSSL60

Drawing Number:

02532.50.00.00

Main Assembly Number:

02532.01.00.00

REV: 0

DATE:

04-11-2013

SCALE:

1:15

FORM:

A4